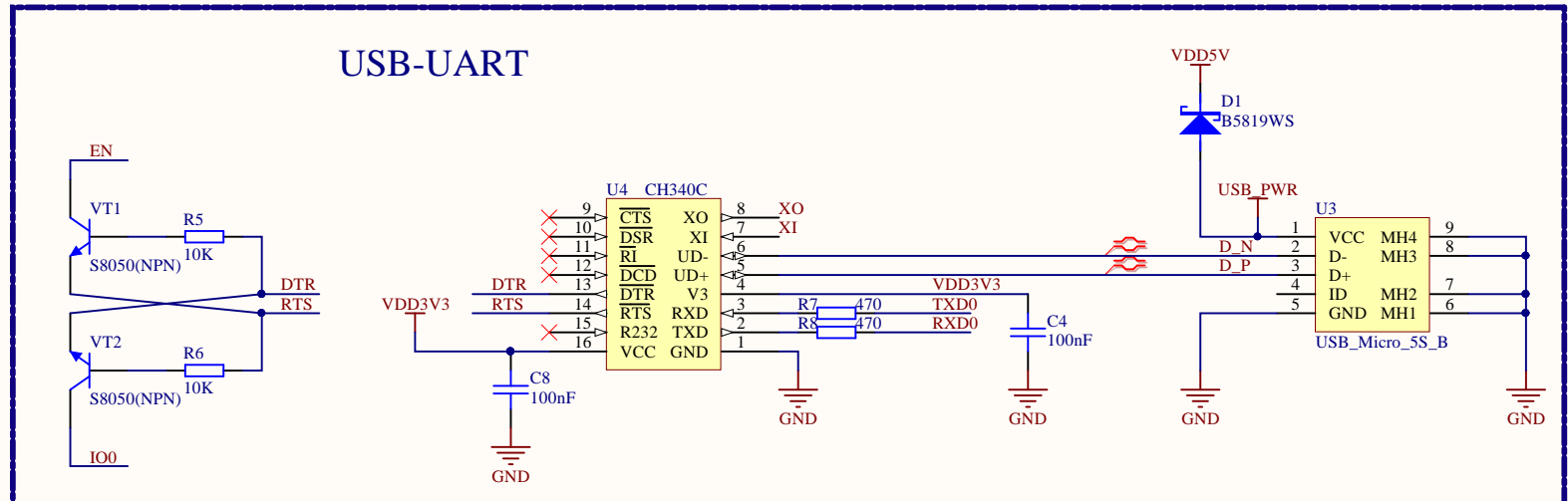
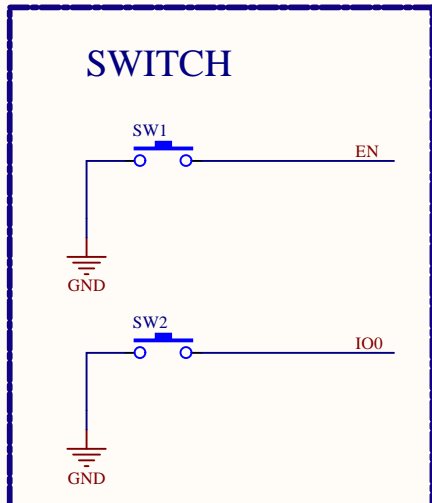
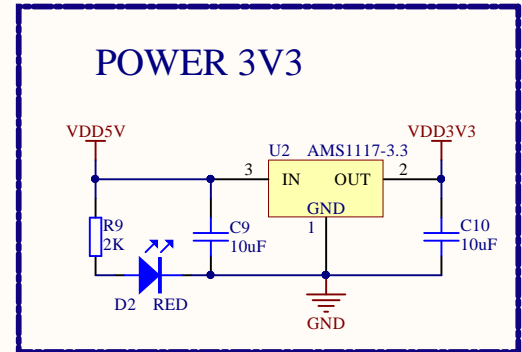
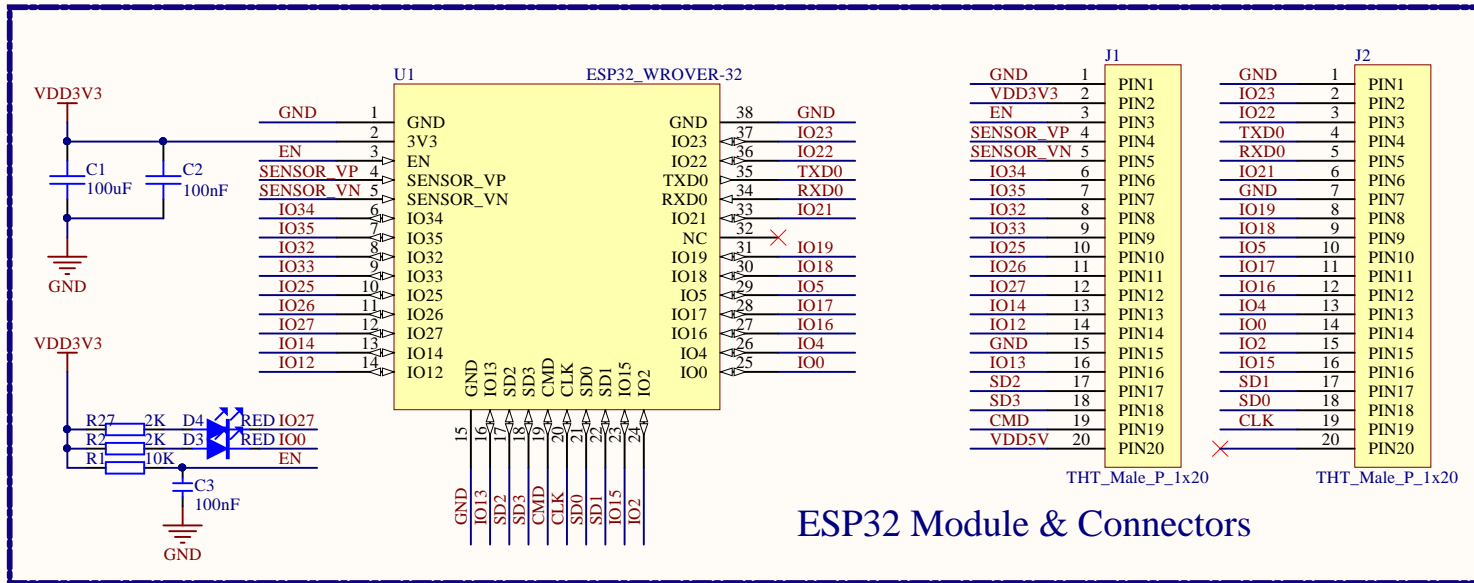


# Geekworm

## ESP32 DevKit C1



Title		
ESP32 DevKit C1		
Size	Number	Revision
A4		1.0
Date:	2018/8/15	Sheet of
File:	D:\MyProj\...KE32-WROVER-C10.SchDoc	Drawn By: YXL